

1 2 3 4 5 6 7 8

A

A

B

B

C

C

D

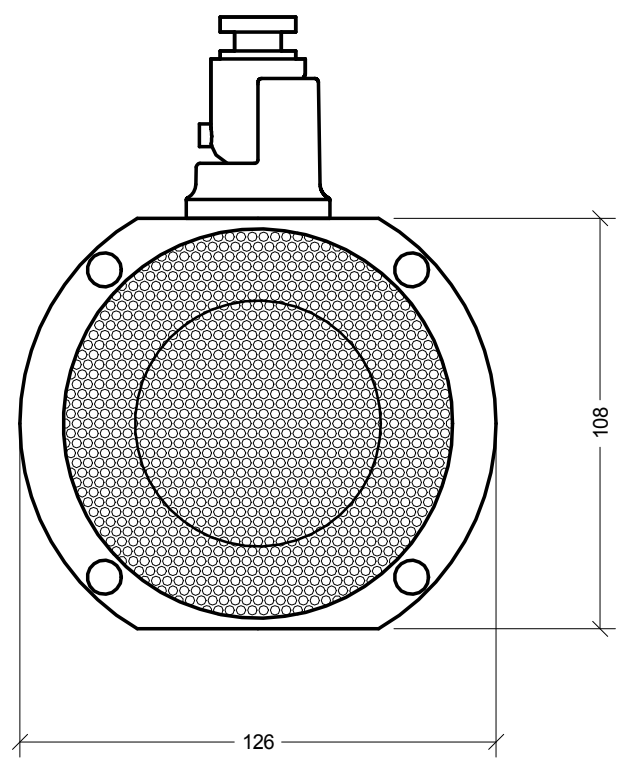
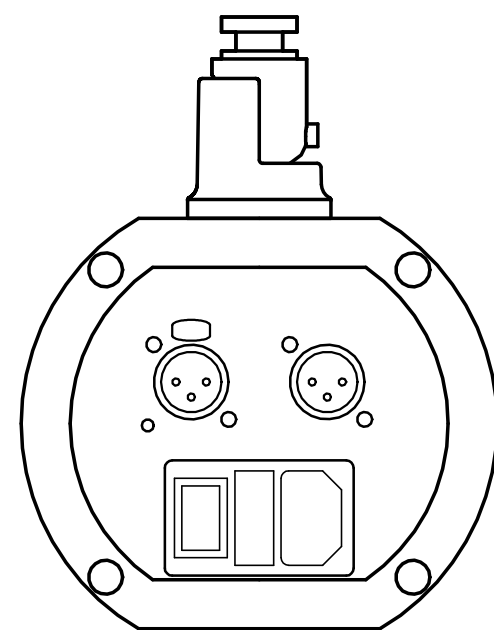
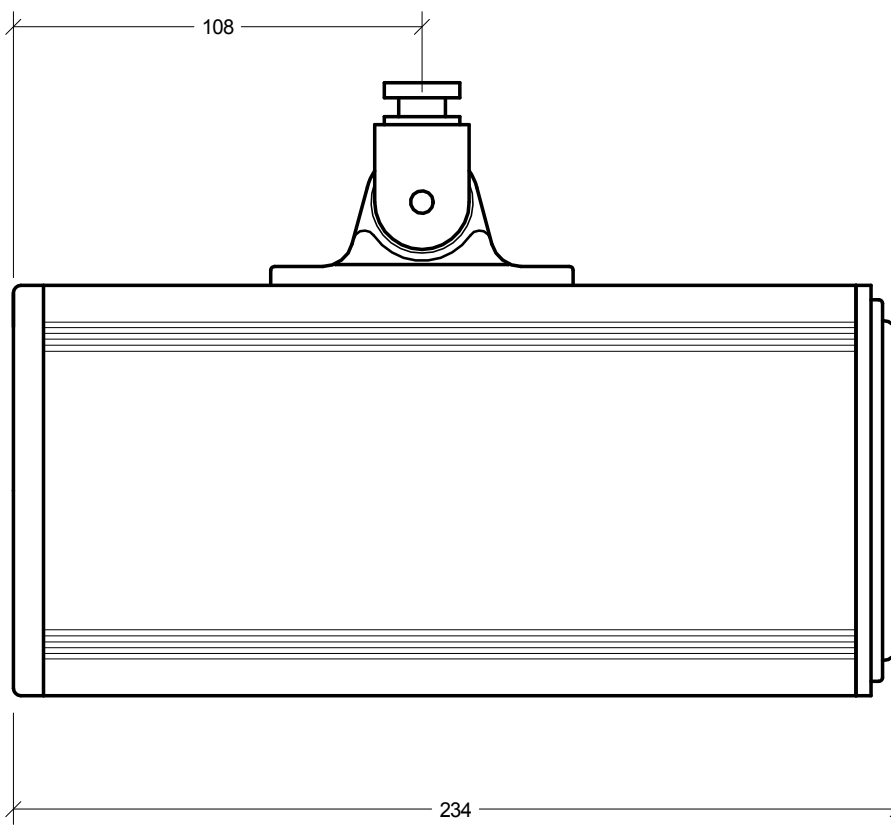
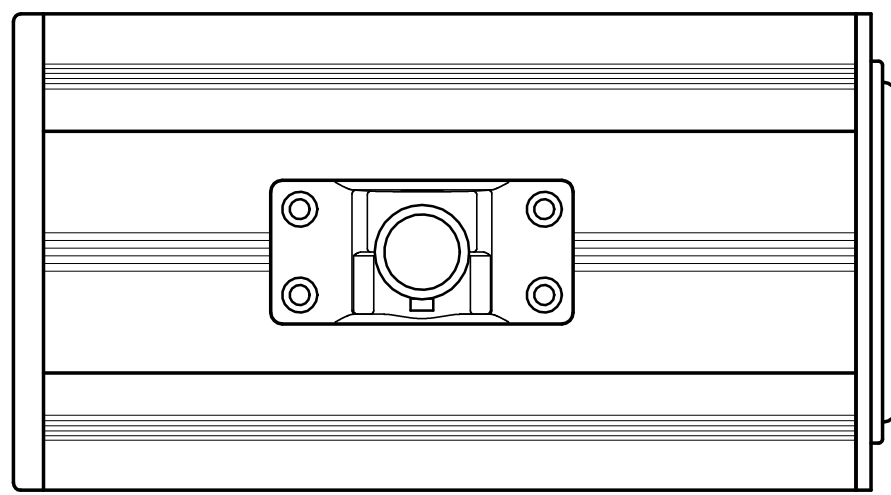
D

E

E

F

F



<b>A</b> 07.03.2013 Original Issue	<b>acoustic technologies</b>					
	Drawn R. Faint	Checked	Approved	Revision G	Scale 1:2	
	<b>MK100A</b>				Sheet 1 of 1	
<b>GENERAL ARRANGEMENT</b>				<b>AT-A3-582</b>		

1 2 3 4 5 6 7 8

